

# REPLACEMENT PARTS

## PUMPS

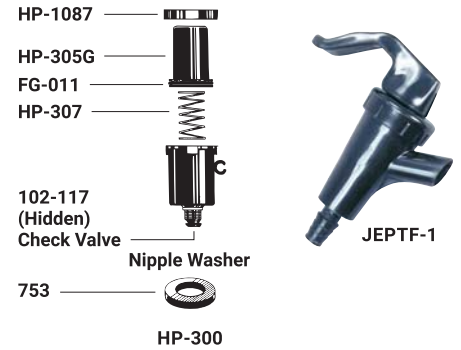
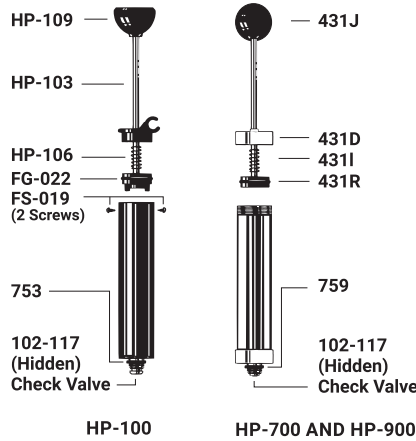
PART NO.	DESCRIPTION
HP-300	3" low profile plastic pump with plastic piston
HP-700	4" chrome pump with chrome plated brass piston
HP-900	8" chrome pump with chrome plated brass piston
HP-100	8" plastic pump with stainless steel piston

### PARTS FOR HP-100

PART NO.	DESCRIPTION
HP-109	Knob
HP-103	SS piston rod
HP-106	Spring
FG-022	O-ring
FS-019	Screw (2 required)

### PARTS FOR HP-700 AND HP-900

PART NO.	DESCRIPTION
431J	Knob
431D	Top cap
431I	Spring
431R	Quad ring
102-117	Check valve (hidden)
759	Washer



### PARTS FOR HP-300 PUMP

PART NO.	DESCRIPTION
HP-1087	Cap
FG-011	O-ring
HP-305G	Piston
HP-307	Spring
753	Nipple washer

### PICNIC FAUCET

PART NO.	DESCRIPTION
JEPTF-1	
547B24WF	With picnic faucet



### BODY WASHER

PART NO.	DESCRIPTION
FT84-2A	Fits 7500, FT44 & FT45
BJ-108N	Grabber® body & probe seal

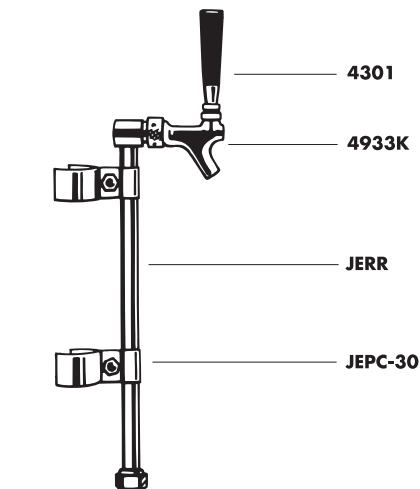
### PROBE AND O-RING LUBRICANT

PART NO.	DESCRIPTION
FT101L	1 oz FDA listed, odorless, tasteless

547B24WF

### TWIN PROBE

PART NO.	DESCRIPTION
TC202-8	Check valve
1776-8	Figure 8 washer



### PARTS FOR JERR

PART NO.	DESCRIPTION
4301	Faucet knob
4933K	Chrome faucet
JERR	Rod assembly only
JEPC-30	Clamp set

### CHECK VALVE

Not for use with Legend series picnic pumps.

PART NO.
752

